

SD1sm - Wood Applications

SD1sm - Wood Applications



Specifications: SD1sm - Wood Applications

Mounting hardware included

Nominal Impedance	8 ohms
Frequency Response (± 0.25 dB)	60 - 15,000 Hz Nominal w/o EQ
Max. Program Power	100 Watts, with 100 Hz 12 dB octave high-pass
Max. Continuous Power RMS	30 Watts
Enclosure - description	Titanium Finish
Height (SM = Height)	58.6 mm / 2.3"
Diameter (SM = Width)	52.34 mm / 2.06"
Weight	.47 kg / 1.05 lbs
Shipping Weight	/ 1.4 lbs

SD1sm - Wood Applications

SD1sm - Wood Applications



Key Features

- Proprietary dual-voice coil technology in a durable, aluminum enclosure delivering high power handling and sensitivity across multiple substrates.
- Symmetrically opposed neodymium magnets convert audio signals into acoustical energy for any rigid surface including glass, drywall, ceramic and wood.
- Hidden planar-source audio technology evenly distributes acoustic energy throughout the listening space.
- Proprietary behind-surface mounting technologies ensure maximum visual appeal.
- 88.5 Max SPL (drywall) and 120° dispersion pattern across the upper registers of the frequency spectrum.
- Drywall (SD1) optional accessories: self leveling, constant tension pre-construction bracket to ensure proper alignment & wall contact.
- Glass (SD1g) included accessories: high bond, double-sided VBH adhesive disk.
- Wood, laminate & composite (SD1sm) included accessories: direct-screw aluminum mounting base.
- Desktop included accessories: mini amplifier, 15 Volt power supply, passive EQ module, 4 international power outlet adaptors, connector cables and a durable carrying case.
- Optional accessories include passive EQ modules for drywall, glass or wood; 20 Watt metal

junction box for 25, 70.7 & 100 Volt applications (AC-JB20-XFMR) and Heat Sink Fins

- For extended frequency response, couple SolidDrives with SW7 or SW8 subwoofers.
- SolidDrives operate in a virtually friction-free environment and are engineered for infinite life. SolidDrives come with an industry-leading 7-year warranty.
- UL approved 1480 and 2043 (except SD1- desktop).

Description

Attaches to wood and similar surfaces using included wood screws. Each SD1sm is designed for one channel of audio. An optional equalization module (listed below) optimizes the SD1sm for use on wood surfaces.

Patented SolidDrive Technologies

SolidDrive and MSE Audio Group constantly develop new technologies that enhance audio product performance. SolidDrive innovations are protected by multiple U.S. and international patents, which explicitly cover SolidDrive dispersion, enclosure and dome technologies. MSE Audio Group actively defends its patents in order to protect SolidDrive resellers and end users.

Technical Data and

Specification Tools

Technical Data

SolidDrive strives to provide complete and effective technical information and data to dealers, engineers and designers. All data are available from SoundTube Entertainment or at www.soundtube.com. Technical data and downloads include: EASE™ data - 3-D polar plots. EASE™ Address - 2-D modeling for distributed systems Autodesk® Revit® software Tech Sheets - Technical information and architectural specs for system engineers SoundTubeSPEC™ - Proprietary speaker placement software

Data Acquisition and Verification

All data for SolidDrive speakers are independently collected from and verified by NWAALabs (www.nwaalabs.com) using their proprietary MACH testing system. All data are collected and analyzed according to ASTM, ISO and AES standards using EASRA, TEF and MLSSA. Full balloon data including both phase and magnitude are compiled into a variety of formats including EASE 4.x, GLL and CLF.

Commercial Applications

SolidDrive technology and patented mounting mechanisms allow for high

SD1sm - Wood Applications

SD1sm - Wood Applications



quality sound through rigid substrates including drywall, glass, wood, laminate & ceramic. Applications include retail, restaurant, boardroom, tradeshow, presentations and more. With planar-source technology, the location of the SolidDrive on the surface has no impact on the quality or uniformity of the delivered sound field. For bass response down to 40 Hz, SolidDrive SW7 (7 inch) or SW8 (8 inch) subwoofers can be included. An optional 20 Watt transformer is supplied in a junction box and is available for 25, 70.7 or 100 Volt applications.

SolidDrive EQ Modules

The surface material plays a key role in the system's sound performance. To ensure an optimal listening experience, the SolidDrive SD1 system can be equalized with the optional SolidDrive Passive Equalization Module (Not UL approved). Each PEM increases the system's sound performance with a passive equalizer network specifically engineered for the particular substrate it is intended for. One module is used with each SolidDrive and are available for drywall, wood, and glass. The SD1 Desktop model ships with the PEM for wood included.

Architectural Specifications

The loudspeaker shall consist of a full-range transducer constructed with neodymium magnets in a chrome-plated aluminum enclosure. Performance specifications are dependent upon substrate type and size. Typical production unit specifications are as follows: Useable frequency response shall extend from 60 Hz - 15 kHz (-10 dB, ½ space, no external equalization). Measured sensitivity (2.83 Volt input, 1 meter) shall be at least 70.0 dB (drywall tested). The speaker shall have a nominal impedance of 8 Ohms and rated power capacity shall be at least 30 Watts RMS. The max. SPL shall be 88.5 dB (drywall tested). Installation for the SolidDrive shall include galvanized steel pre-construction bracket for drywall, high-bond, double sided VBH adhesive for glass or direct screw mounting plates for surface-mount applications including wood. The desktop mounting kit includes mini amplifier, 15 Volt power supply, passive EQ module, 4 international power outlet adaptors, connector cables and a durable carrying case. Overall cabinet dimensions for the SD1 and SD1sm shall be no more than 52.8mm (2.08 in) in height by 88.9 mm (3.50 in) in diameter. The SD1 shall weigh no more than 0.50 kg or 1.2 Lbs. Overall cabinet dimensions for the SD1 Desktop and SD1g shall

be no more than 52.8 mm (2.08 in) in height by 57.9 mm (2.28 in) in diameter. The SD1 shall weigh no more than 0.50 kg or 1.1 Lbs. SolidDrive models shall come with the following leads: SD1 - 559 mm (22 in.) plenum rated speaker wire with screw connector block. SD1g - 1829mm (72 in) clear speaker wire with screw connector block. SD1sm - 1829mm (72 in) clear speaker wire with screw connector block. SD1 desktop - 1829mm (72 in) black speaker wire with gold RCA plug.

SolidDrive

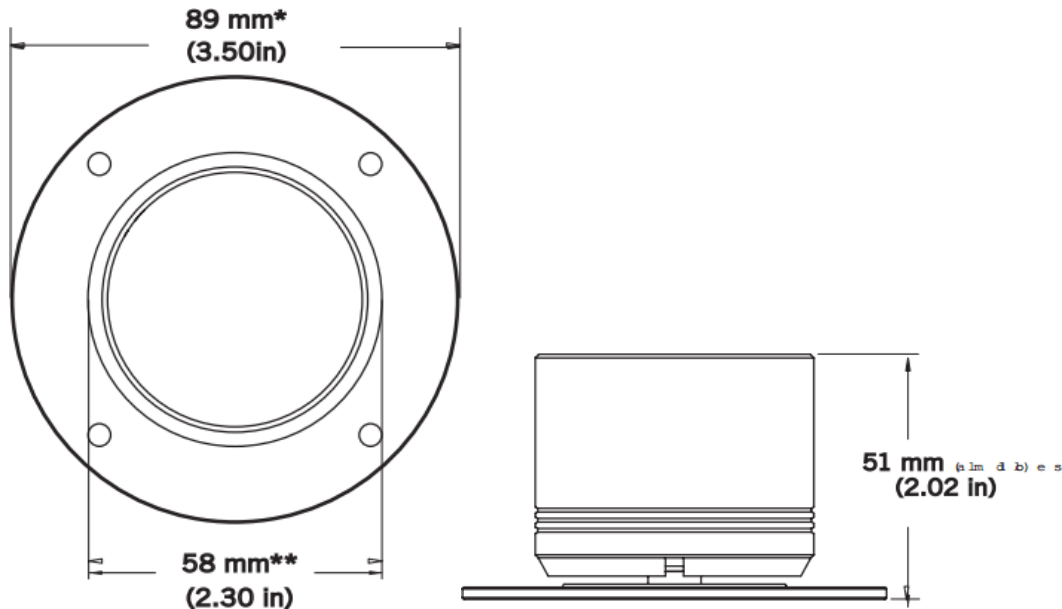
8005 W. 110th St. / Suite 208
Overland Park, KS 66210
Phone 913.663.5600
Fax
Toll Free 855.663.5600
<http://soliddrive.mseaudio.com>
All SolidDrive products come with a 5-year limited warranty.

SD1sm - Wood Applications

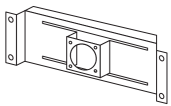
SD1sm - Wood Applications



Mechanical Drawings



Included Accessories



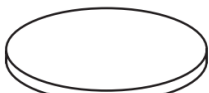
In-wall mount



Surface Mount



**Double sided VHB
Silicone pad**

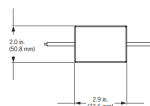


Silicone pad

Optional Accessories



Heat Sink Fins



Passive Equalization Modules